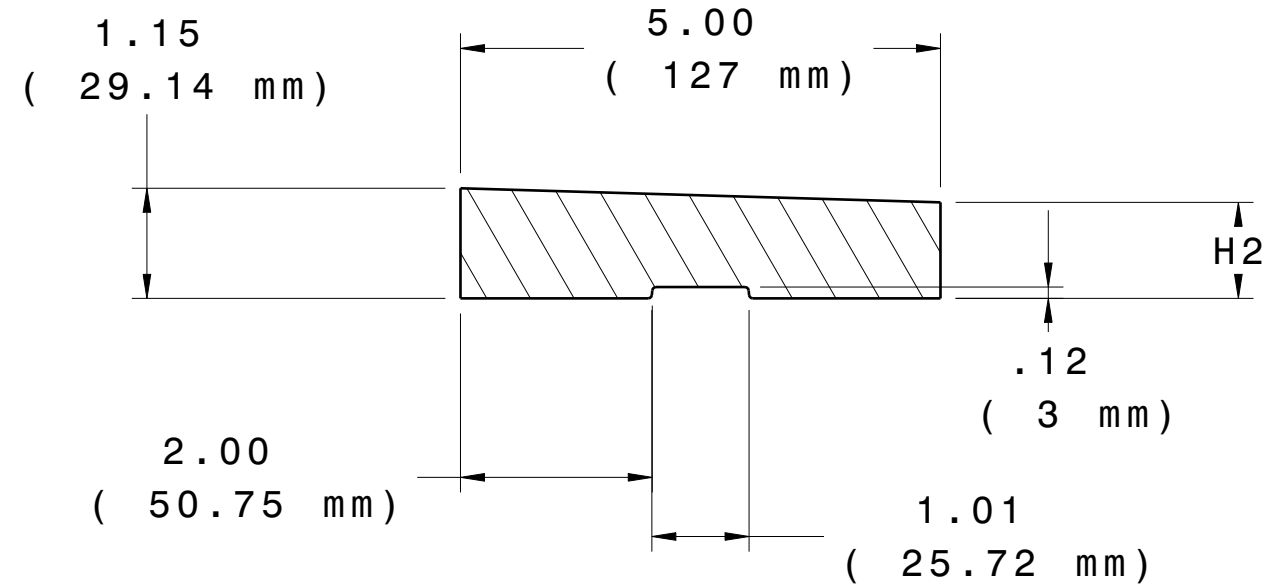
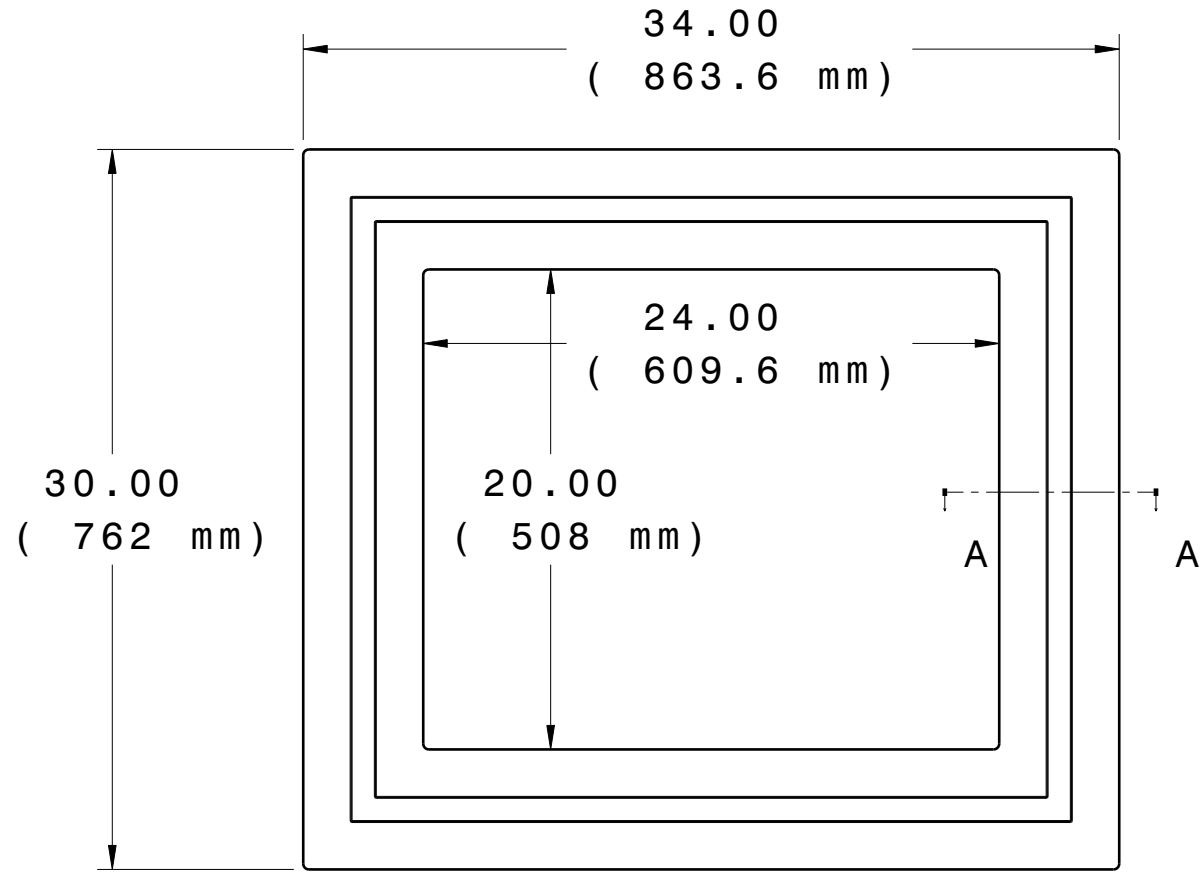
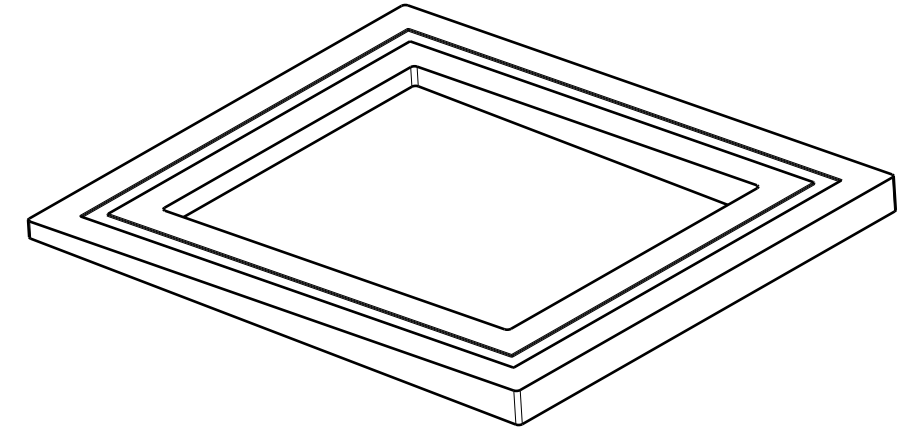
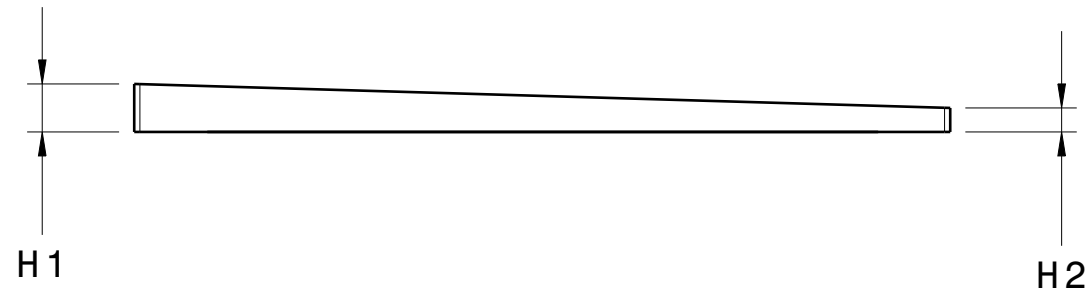


ANGLE RECTANGULAR

PART NUMBER	OUTER PROFILE (IN.)	INNER PROFILE (IN.)	H1(IN.)	H2(IN.)
24-20-A1-2L	34X30	24X20	2	1



Section cut A-A
Scale: 1:2



GENERAL NOTES:

- MEETS HS20/HS25 LOADING PER M306 PROOF LOAD
- ARPRO EXPANDED POLYPROPYLENE BLACK 120 G/L ASTM-D3575
- DENSITY/WEIGHT TOLERANCE = +/-10%

SURFACE PROFILE: 5.0mm A B M C M
 NO BURRS AT PARTING LINE PORTION
 ALL HOLES OR SLOT SIZE TOLERANCE: ± 0.5 MM
 MATERIAL SPECIFICATION:
 3D CAD IS MASTER

ENGLISH/INCHES UNLESS OTHERWISE SPECIFIED
 CAD SYSTEM: CATIA V5
 MATERIAL: EPP
 FILENAME:

Scale
1:10

01	INITIAL RELEASE	N/A	08FEB 2019	E.N.
REV LEVEL	CHANGE DESCRIPTION	ECN #	DATE	INITIALS
PRO-RING MANHOLE ADJUSTMENT SYSTEM		PART NUMBER: 24 SERIES RECTANGULAR CUSTOMER REVISION LEVEL: ENGINEER: PHONE NUMBER		
DRAWN BY:	ENGINEERING:	MOLDING:	QUALITY:	