



## SIZING AND ORDERING PROCEDURE

To insure proper fit, the Cretex Inflow Dish shall be manufactured to dimensions provided by the purchaser to allow easy installation within the manhole frame. Exact measurements shall be required from the purchaser to accurately manufacture the Inflow Dish.

### MEASUREMENTS

**COVER** — Measure the inside diameter of the manhole cover at its base "A". Measure the distance of the cover thickness "B".

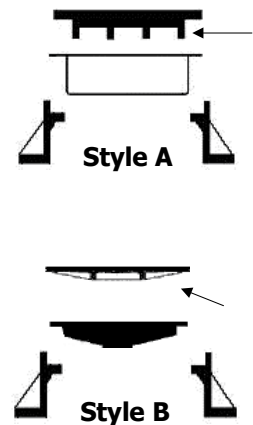
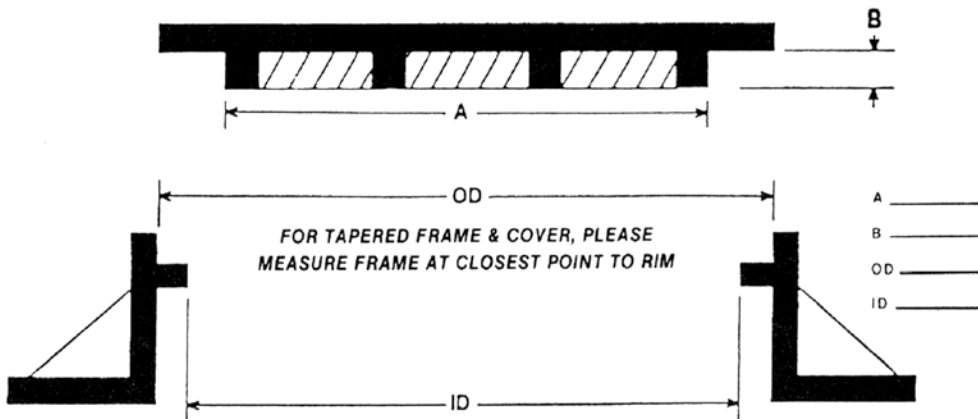
**FRAME** — Measure the outside diameter of the frame where the cover sits "OD". Measure the inside diameter of the frame's lip "ID".

NOTE: For tapered frame and cover, please measure frame at closest point to rim.

### SIZING REQUIREMENTS

To ensure proper fit and performance of the Cretex Inflow Dish, please provide the requested measurements as described. Note: It is important to identify which style of counter weight to ensure proper fit. Style "A" is designed with vertical or straight counterweight. Style "B" is tapered to the center from the outside edge of the lid.

*(Please enclose a copy of this drawing with your order)*



**STANDARD MODEL** Includes 2 vent holes and 1 lift strap.

**OPTIONAL GASKET** An optional "Black" neoprene gasket can be supplied.

**OPTIONAL DIFFUSER VALVE** An optional alternative ventilation valve or valves can be supplied that are manufactured of a Polypropylene Ethylene compound, are corrosion and wear resistant, and designed to release gas pressure at approximately 1 psi, and vacuum pressure at approximately 2 psi. The valve(s) material is unaffected by temperatures within a range of -70°F to 350°F.