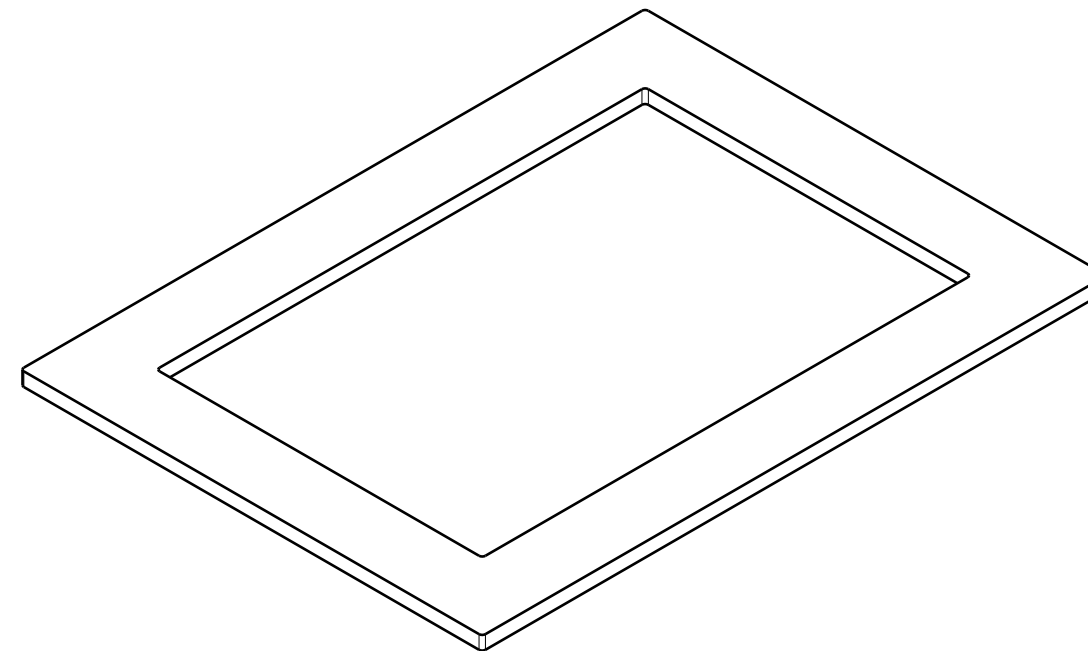
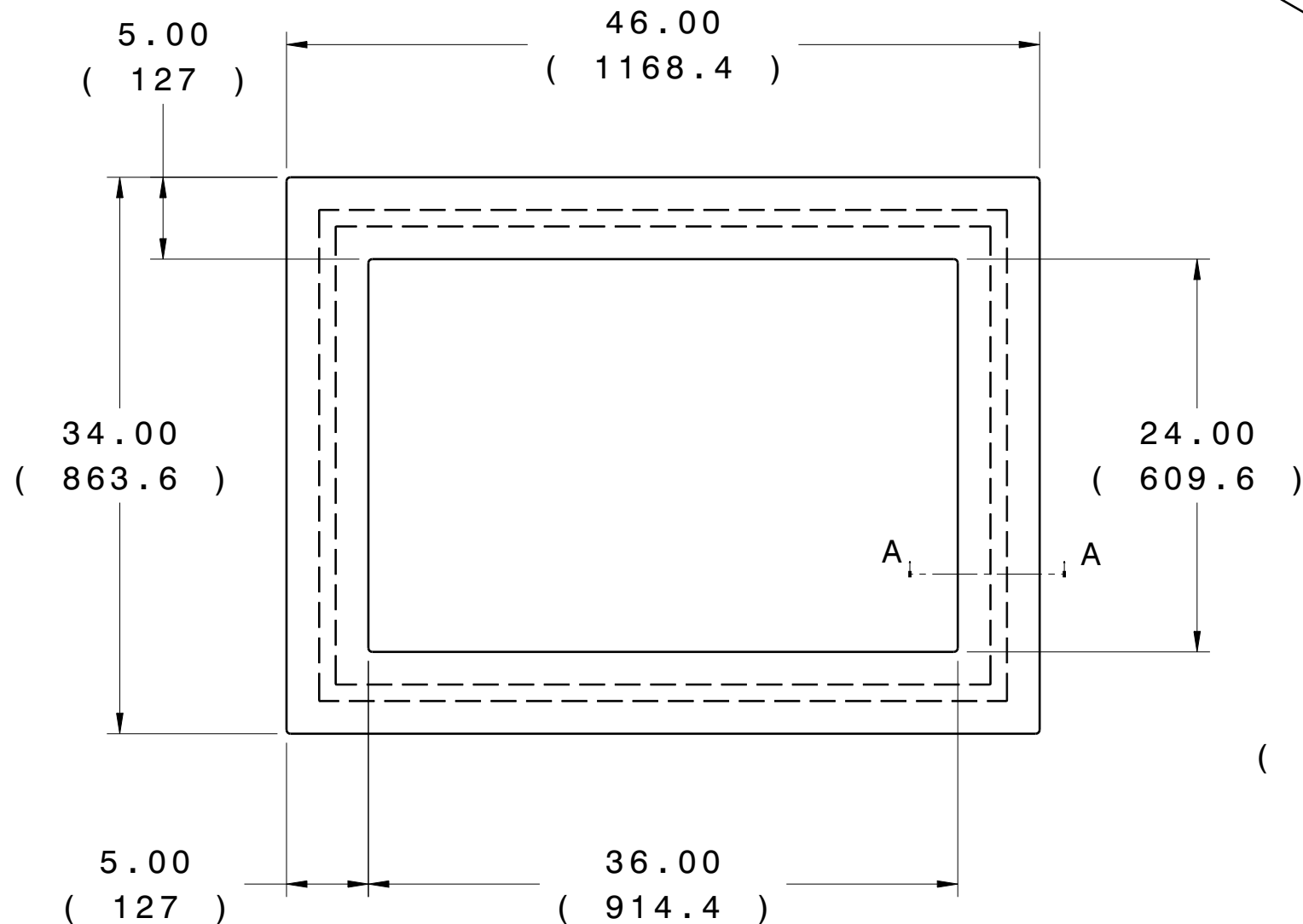


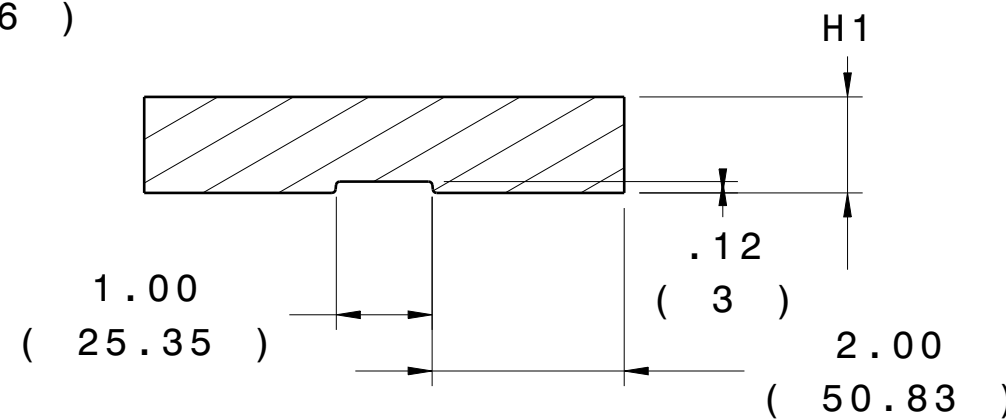
FINISH RING			
PART NUMBER	OUTER PROFILE (IN.)	INNER PROFILE (IN.)	H1 (IN.)
RT 36-24-75	34X46	24X36	0.75
RT 36-24-100	34X46	24X36	1
RT 36-24-125	34X46	24X36	1.25
RT 36-24-150	34X46	24X36	1.5
RT 36-24-200	34X46	24X36	2
RT 36-24-300	34X46	24X36	3
RT 36-24-400	34X46	24X36	4



Isometric view
Scale: 1:10



Front view
Scale: 1:10



Section cut A-A
Scale: 1:2

PRO-RING™

MANHOLE ADJUSTMENT SYSTEM

www.cretexseals.com

**24 x 36 SERIES
FINISH RING**

LOAD RATING

HEAVY DUTY

MATERIAL SPECIFICATION

**ARPRO EXPANDED
POLYPROPYLENE BLACK
5000 SERIES
ASTM-D3575**

LAST REVISED

RAD

DATE

25OCT2013