

ANGLE RING				
PART NUMBER	OUTER PROFILE (IN.)	INNER PROFILE (IN.)	H1 (IN.)	H2 (IN.)
RT 30-24A 1-2L	40X34	30X24	1	2

PRO-RING™

MANHOLE ADJUSTMENT SYSTEM

www.cretexseals.com

**30 x 24 SERIES
ANGLE RING**

LOAD RATING

HEAVY DUTY

MATERIAL SPECIFICATION

**ARPRO EXPANDED
POLYPROPYLENE BLACK
5000 SERIES
ASTM-D3575**

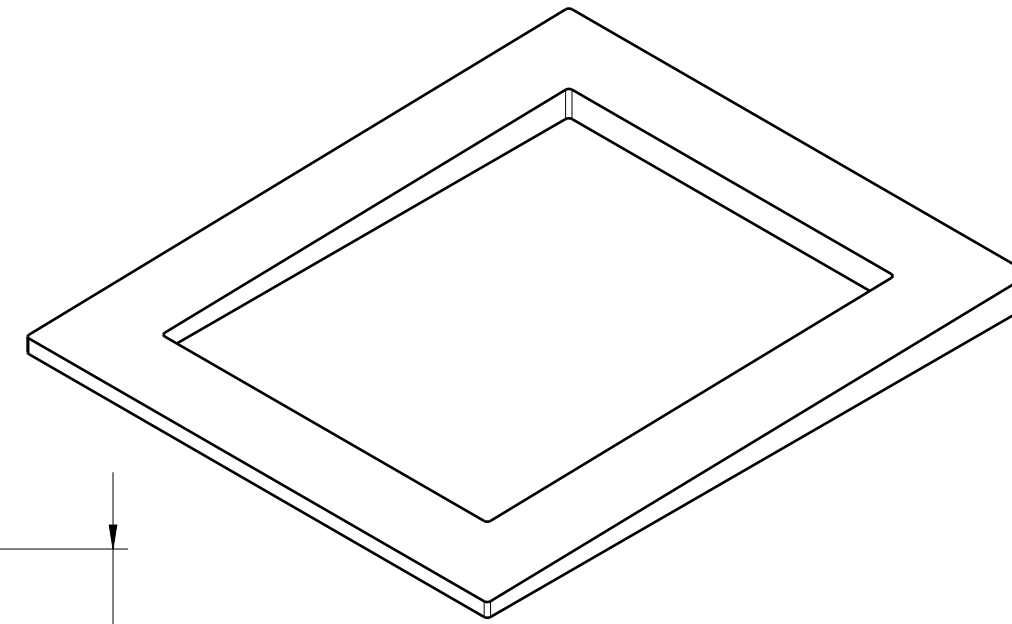
LAST REVISED

RAD

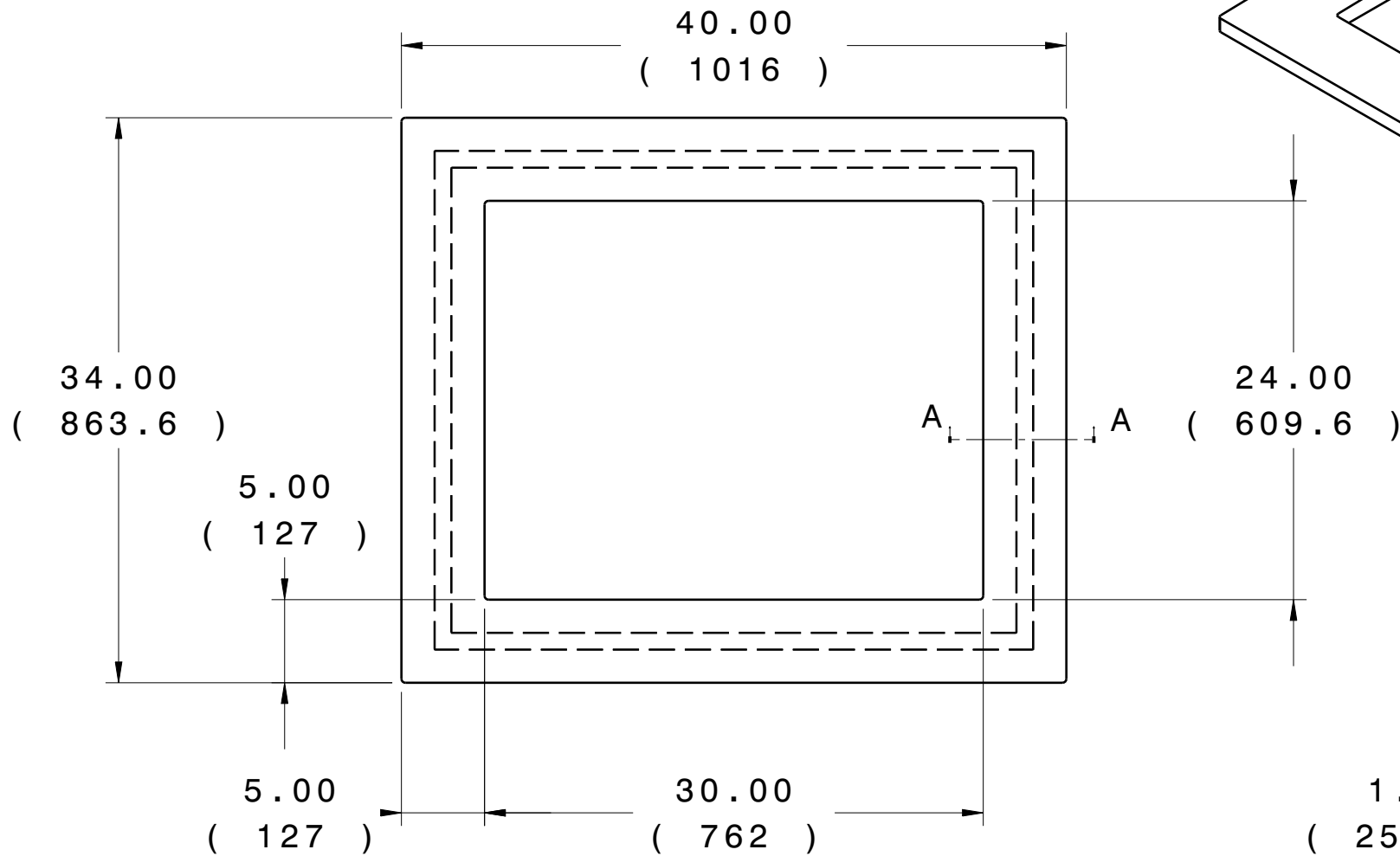
DATE

22JUL2015

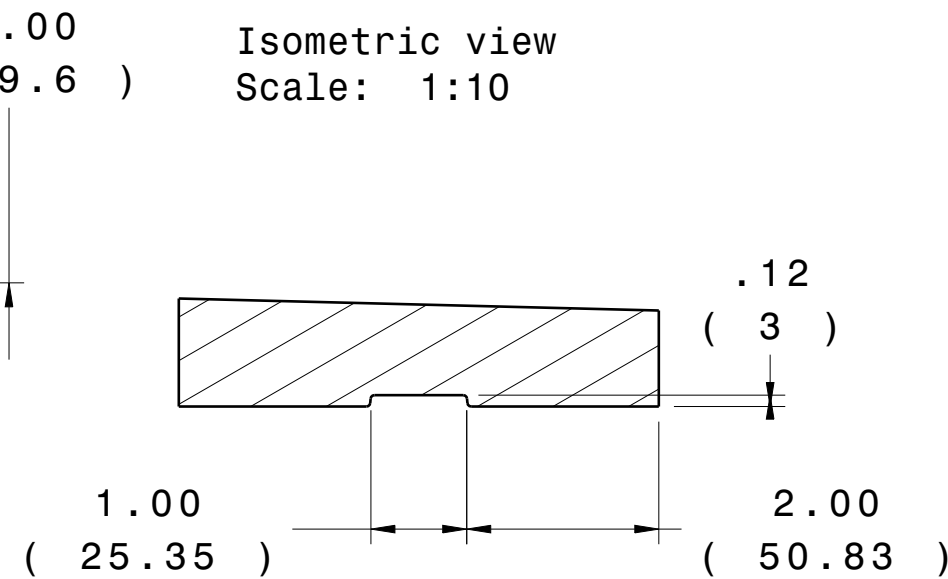
© 2010 JSP. All Rights Reserved



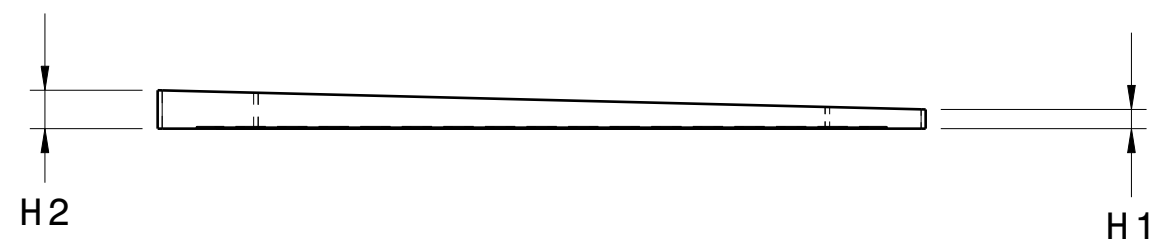
Isometric view
Scale: 1:10



Front view
Scale: 1:10



Section cut A-A
Scale: 1:2



Bottom view
Scale: 1:10