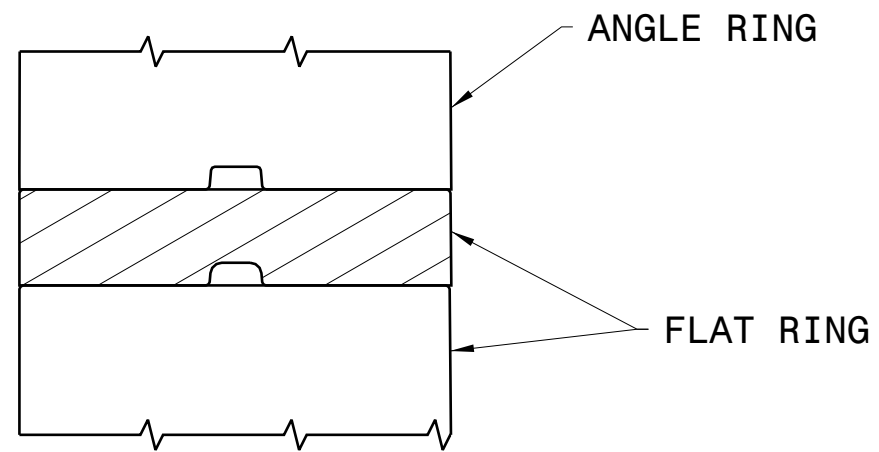
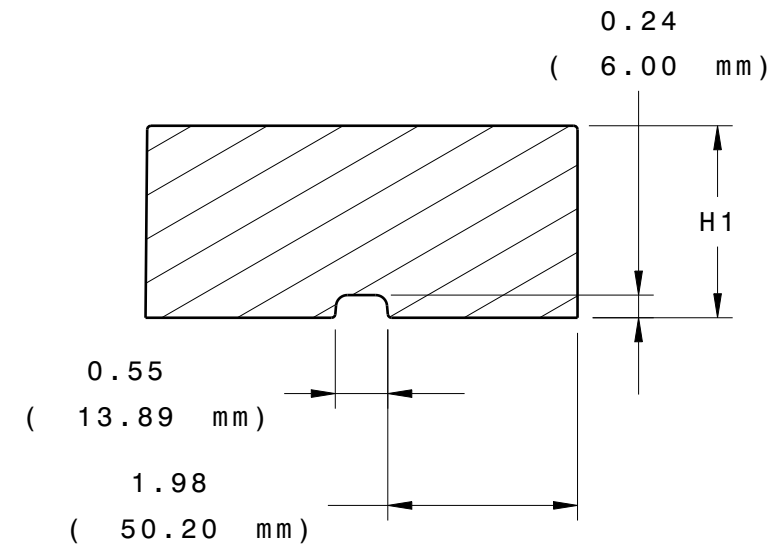
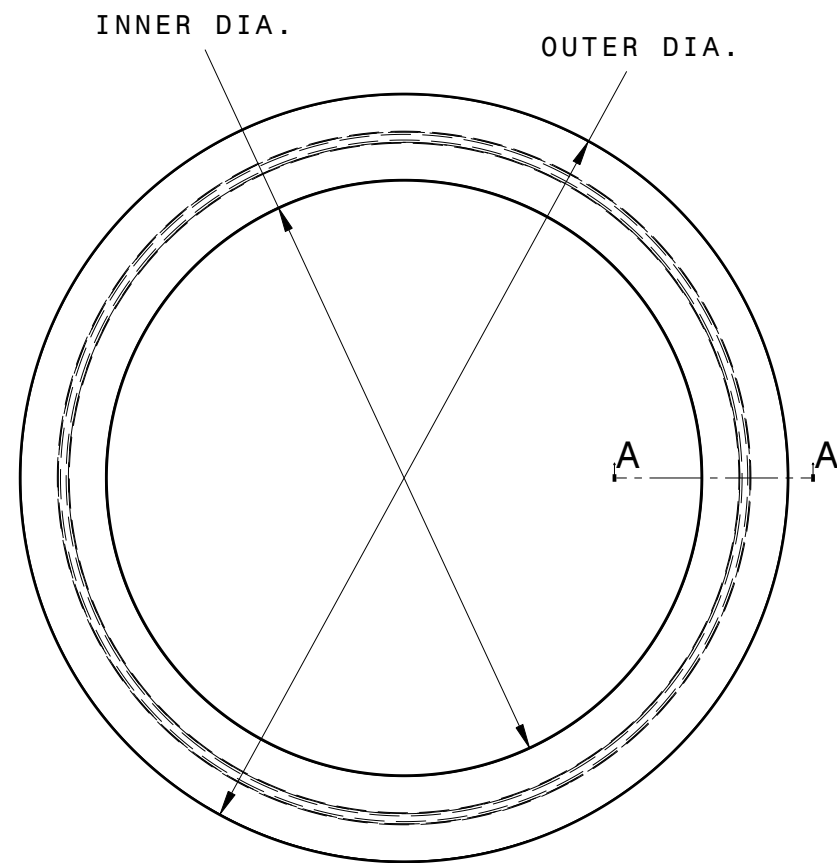


FINISH RING			
PART NUMBER	OUTER DIA (IN.)	INNER DIA (IN.)	H1 (IN.)
40-31F-075	40	31	0.75
40-31F-100	40	31	1
40-31F-125	40	31	1.25
40-31F-150	40	31	1.5
40-31F-200	40	31	2
40-31F-400	40	31	4
40-31F-600	40	31	6



SECTION MATING COMPONENTS



Section cut A-A

PRO-RING™

MANHOLE ADJUSTMENT SYSTEM

www.cretexseals.com

40 SERIES FLAT RING

LOAD RATING

HEAVY DUTY

MATERIAL SPECIFICATION

**ARPRO EXPANDED
POLYPROPYLENE BLACK
5000 SERIES
ASTM-D3575**

LAST REVISED

RAD

DATE

26OCT2011

© 2010 JSP. All Rights Reserved