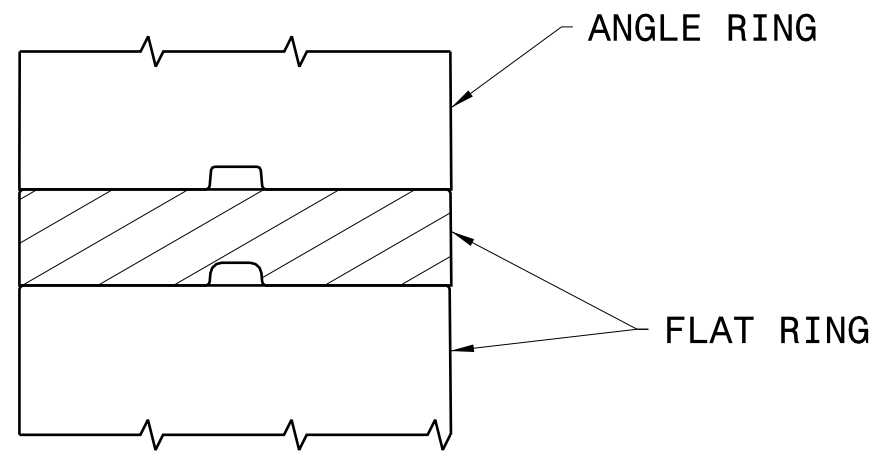
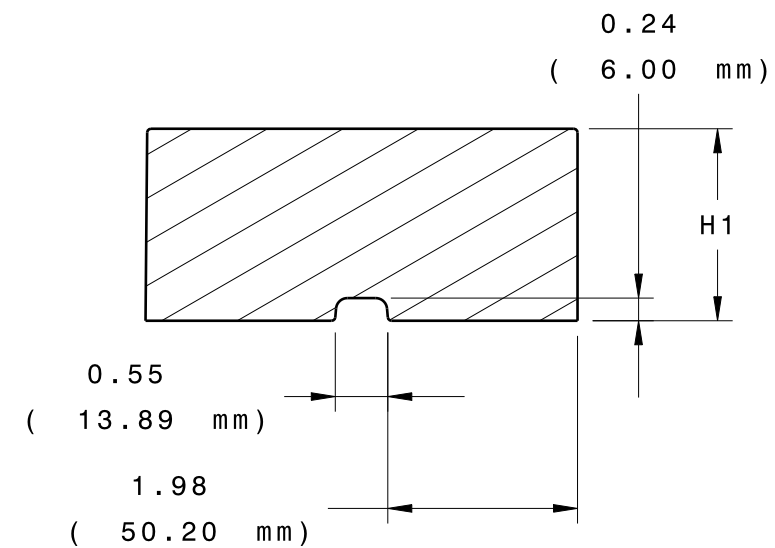
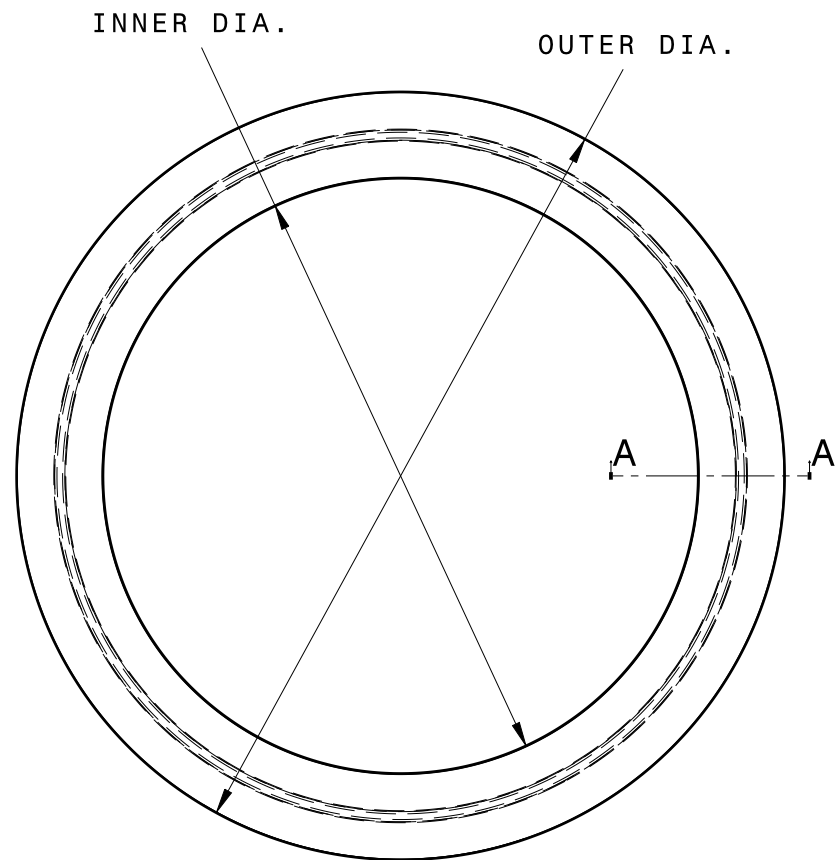


FINISH RING			
PART NUMBER	OUTER DIA (IN.)	INNER DIA (IN.)	H1 (IN.)
40-31F-075	40	31	0.75
40-31F-100	40	31	1
40-31F-125	40	31	1.25
40-31F-150	40	31	1.5
40-31F-200	40	31	2



SECTION MATING COMPONENTS



Section cut A-A

**PRO-RING™**

MANHOLE ADJUSTMENT SYSTEM

www.PRO-RING.com

## 40 SERIES FLAT RING

LOAD RATING

# HEAVY DUTY

MATERIAL SPECIFICATION

ARPRO EXPANDED  
POLYPROPYLENE BLACK  
5000 SERIES  
ASTM-D3575

LAST REVISED

RAD

DATE

26OCT2011