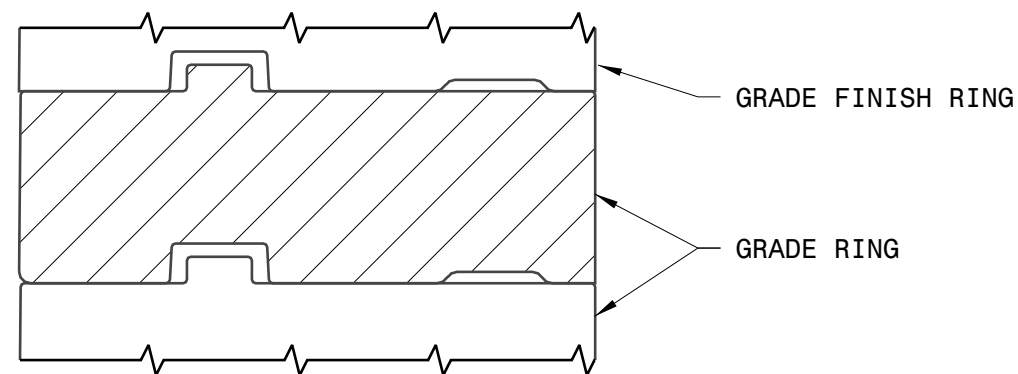
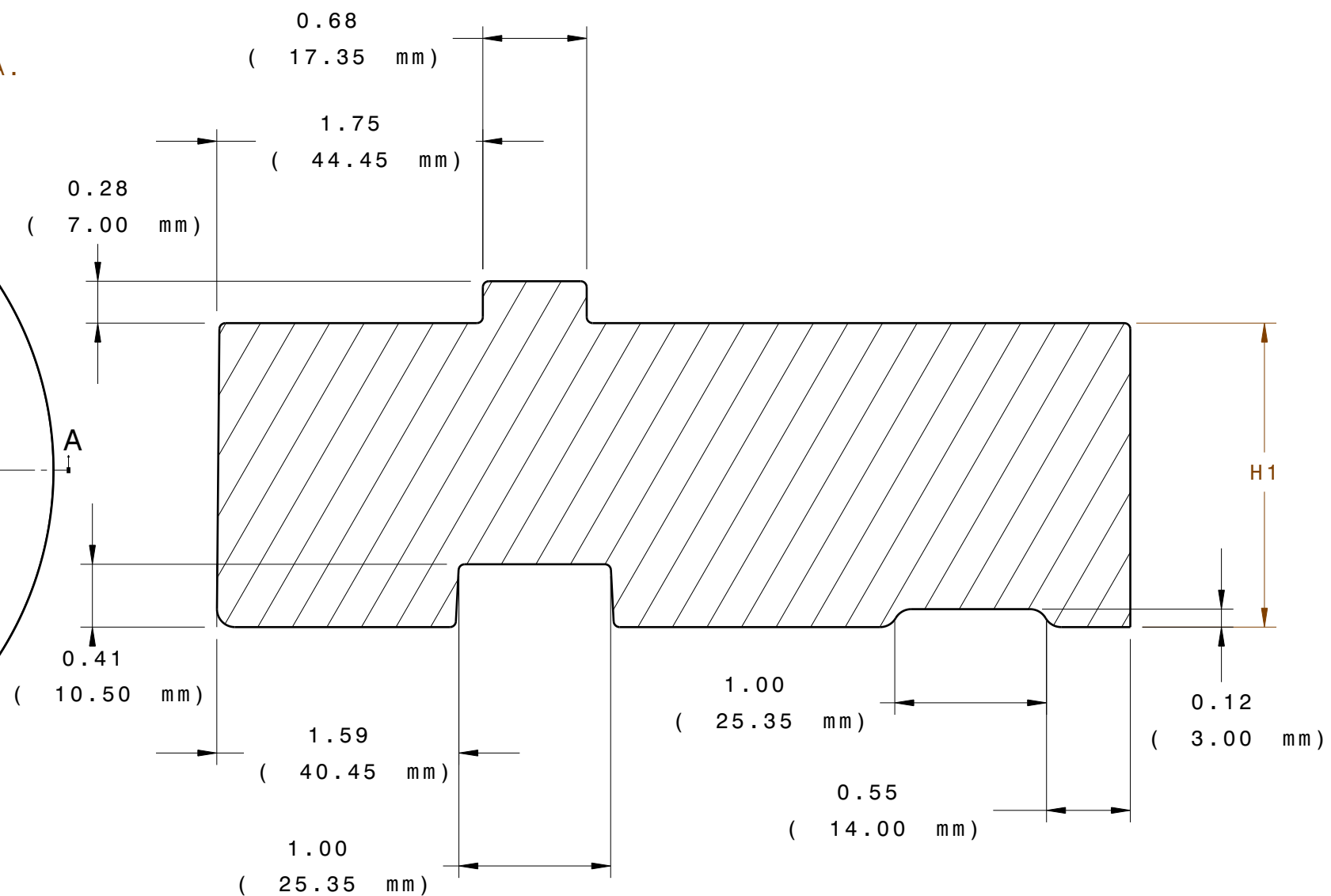
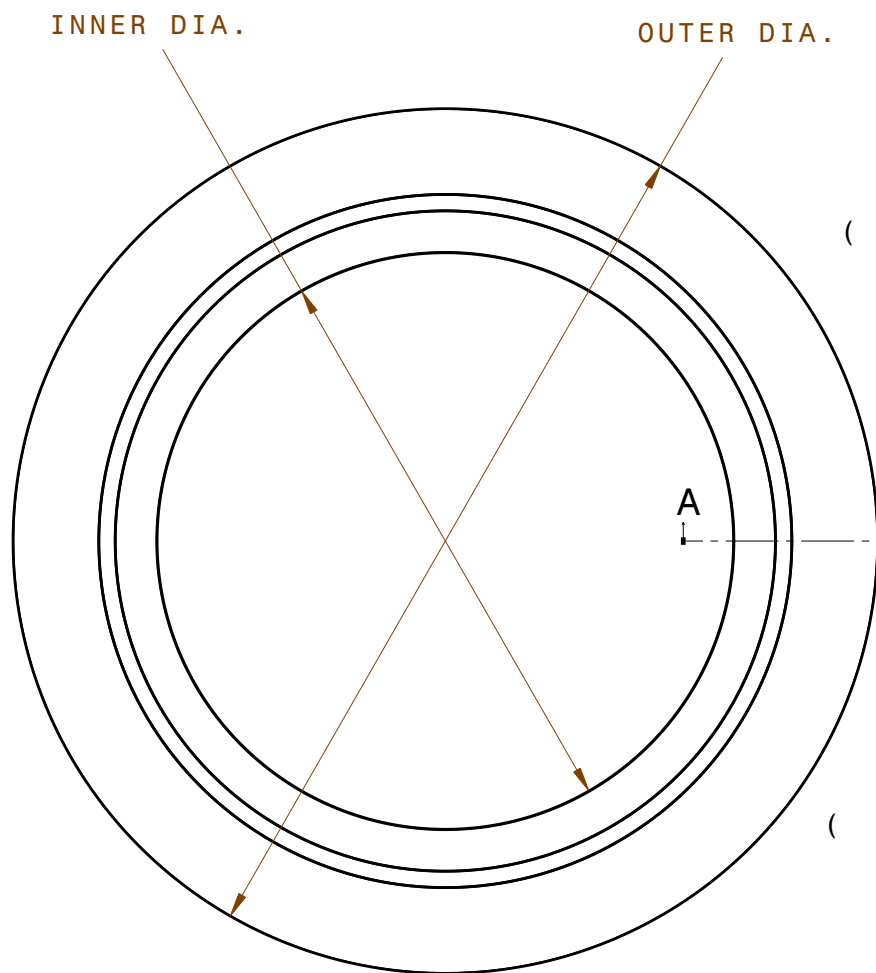


GRADE RING			
PART NUMBER	OUTER DIA (IN.)	INNER DIA (IN.)	H1 (IN.)
36-24G-200	36	24	2
36-24G-400	36	24	4
36-24G-600	36	24	6



Section
Mating Components



Section cut A-A

PRO-RING™

MANHOLE ADJUSTMENT SYSTEM

www.PRO-RING.com

36 SERIES GRADE RING

LOAD RATING

HEAVY DUTY

MATERIAL SPECIFICATION

**ARPRO EXPANDED
POLYPROPYLENE BLACK
5000 SERIES
ASTM-D3575**

LAST REVISED

RAD

DATE

05APR2010